

**REALTREE
EDGE**

WESTON

RECONNECT WITH REAL FOOD

2-IN-1 manual

MEAT CUBER/TENDERIZER & JERKY SLICER

07-3701-RE

DUE TO CONSTANT FACTORY IMPROVEMENTS, THE PRODUCT PICTURED MIGHT DIFFER SLIGHTLY FROM THE PRODUCT IN THIS BOX.

TABLE OF CONTENTS / ÍNDICE / TABLE DES MATIÈRES

IMPORTANT SAFEGUARDS	3
COMPONENT LIST	4-5
CLEANING INSTRUCTIONS	6
ASSEMBLY	6-7
DIRECTIONS FOR USE	8
FOOD SAFETY	9
WARRANTY INFORMATION	10
SALVAGUARDIAS IMPORTANTES	12
LISTA DE COMPONENTES	14-15
INSTRUCCIONES DE LIMPIEZA	16
INSTRUCCIONES DE MONTAJE	16-17
INSTRUCCIONES DE USO	18
SEGURIDAD DE LOS ALIMENTOS	19
INFORMACIÓN DE GARANTÍA WESTON	20
PRÉCAUTIONS IMPORTANTES	22
DESCRIPTION DE LA PIÈCE	24-25
INSTRUCTIONS DE DÉMONTAGE ET D'ENTRETIEN	26
INSTRUCTIONS D'ASSEMBLAGE	26-27
MODE D'EMPLOI	28
SÉCURITÉ ALIMENTAIRE	29
INFORMATION SUR LA GARANTIE	30



IMPORTANT SAFEGUARDS

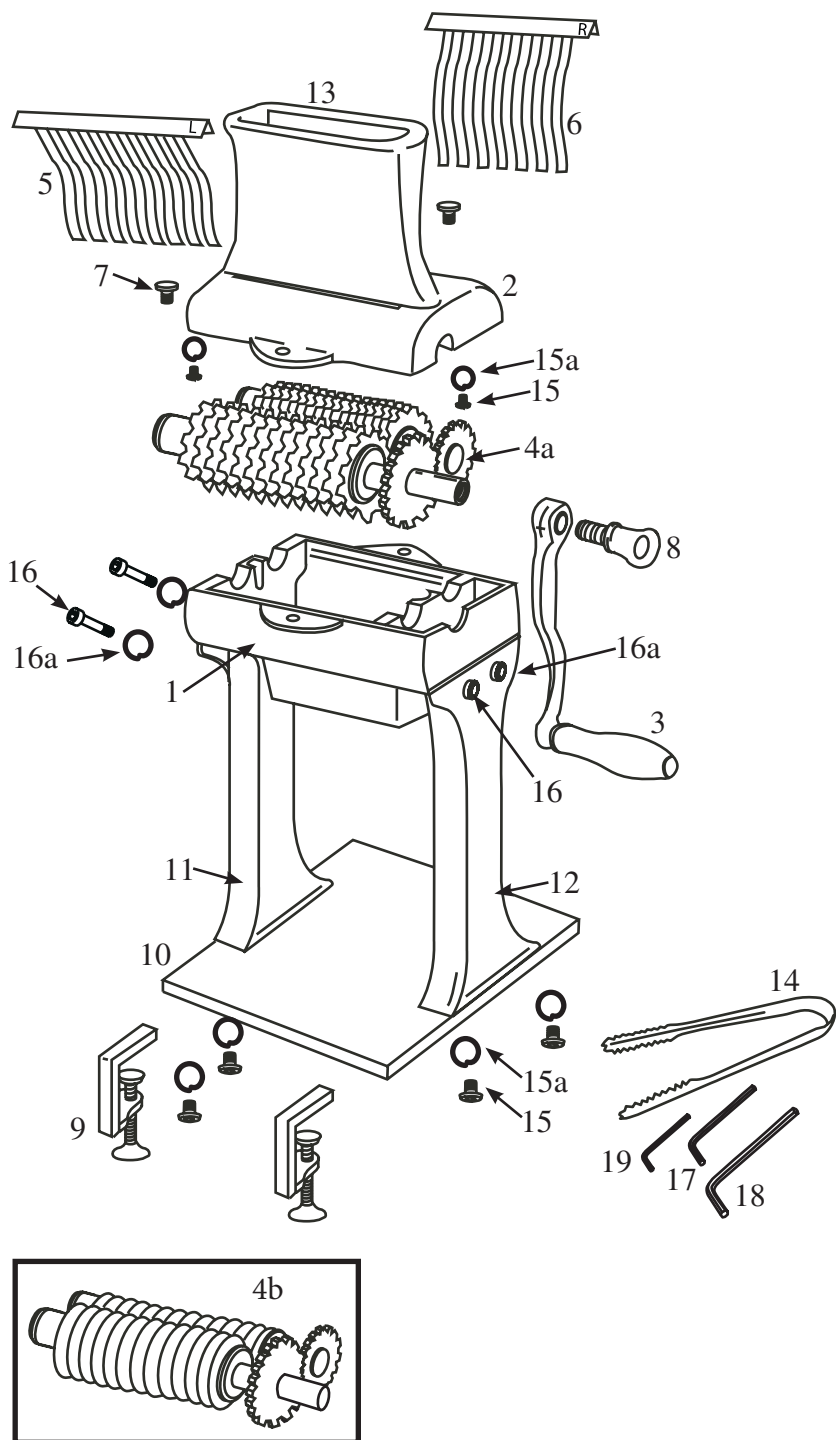
When using electrical appliances, basic safety precautions should always be followed to reduce the risk of fire, electric shock, and/or injury to persons, including the following:

1. Read all instructions.
2. NEVER REACH INTO the Tenderizer/Jerky Slicer. Doing so could cause serious injury. ALWAYS USE THE PROVIDED TONGS.
3. KEEP FINGERS CLEAR OF THE BLADES AT ALL TIMES. Failure to do so may result in personal injury. The Cutting Blades/Blade Assembly is very sharp. Wear Kevlar, cut-resistant gloves (Sold Separately) when handling the Blades.
4. DO NOT press or push meat into the Chute with your fingers or any other object. Doing so may cause personal injury and/or damage to the unit.
5. NEVER use fingers to scrape food away from the Tenderizer/Jerky Slicer while in operation. SEVERE INJURY MAY RESULT.
6. DO NOT push the Tongs or other utensils into the Blades.
7. NEVER LEAVE THE Tenderizer/Jerky Slicer UNATTENDED. Close supervision is necessary when any appliance is used near children. This appliance is NOT to be used by children.
8. NEVER use any accessories or parts from other manufacturers. Doing so will VOID YOUR WARRANTY.
9. Thoroughly clean all parts that will come into contact with food before using the Tenderizer/Jerky Slicer. Wash all parts by hand and dry thoroughly. Protective/cut-resistant gloves are recommended whenever handling the Blades.
10. DO NOT attempt to tenderize or slice meat with bones or other hard items. Damage to the machine will occur.
11. TIE BACK loose hair and clothing, and roll up long sleeves before operating the Tenderizer/Jerky Slicer. REMOVE ties, rings, watches, bracelets, or other jewelry before operating.
12. DO NOT use the Tenderizer/Jerky Slicer while under the influence of drugs, medications or alcohol.

SAVE THESE INSTRUCTIONS



ENGLISH INSTRUCTIONS



COMPONENT LIST

DIAGRAM NUMBER	PART DESCRIPTION	PART NUMBER
1	BOTTOM HOUSING	07-3184-A
2	TOP HOUSING	07-3181-A
3	HANDLE	07-3125-A
4A	CUBER/TENDERIZER BLADES	07-3103
4B	JERKY SLICER BLADES	07-3302-W
5	STAINLESS STEEL LEFT COMB	07-3119
6	STAINLESS STEEL RIGHT COMB	07-3118
7	HOUSING THUMBSCREW (2)	07-3166
8	HANDLE THUMBSCREW	07-3145
9	C-CLAMP (2)	07-3105
10	BASE	07-3111
11	LEFT SUPPORT LEG	07-3179-L-A
12	RIGHT SUPPORT LEG	07-3179-R-A
13	CHUTE	07-3182-A
14	STAINLESS STEEL TONGS	07-3151
15	CHUTE AND BASE SCREW (6)	07-3183
15A	CHUTE AND BASE LOCK WASHERS (6)	N/A
16	LEG SCREW (4)	07-3180
16A	LEG LOCK WASHERS (4)	N/A
17	ALLEN WRENCH/CHUTE & BASE SCREWS	07-3178
18	ALLEN WRENCH/LEG SCREWS	07-3185
19	ALLEN WRENCH/BLADES	07-3186

If any components of this unit are broken, the unit does not operate properly or you need a replacement instruction manual, visit us on the web at

WestonSupply.com

Or call Weston Brands, LLC Toll Free at 1-800-814-4895
Monday thru Friday 8:00am-5:00pm ET. Outside the U.S. call 001-216-901-6801

CLEANING INSTRUCTIONS

1. Thoroughly wash all parts in soapy water. Rinse with clean water. Dry all parts immediately. NOTE: DO NOT immerse the Blade Assembly in sudsy water where they cannot be seen. To prevent injury, keep the Blade Assembly visible at all times.
2. Coat all metal parts with a food grade silicone spray.

HELPFUL HINT: A long, skinny brush is helpful when cleaning the Blade Assembly.

ASSEMBLY INSTRUCTIONS

⚠ WARNING **Cut Hazard.** Blades are sharp, use care when handling. The use of cut-resistant gloves is suggested.

1. Connect the Left and Right Legs to the Base using the provided Allen Wrench and 4 Base Screws and Lock Washers. **FIGURE A**

2. Using an Allen Wrench and 4 Leg Screws and Lock Washers, attach the Left and Right Legs to the Lower Housing. **FIGURE A**

3. Install the Chute to the Top Housing using an Allen Wrench and 2 Chute Screws and Lock Washers. **FIGURE B**

4. Insert the Blade Assembly into the Lower Housing, guiding the Drive Shaft into the journals. Make sure the gears and the blades of the Blade Assembly are properly meshed together and resting in the journals (**FIGURE C**).
NOTE: The Tenderizer Blade is a 2-piece set. The Jerky Slicer Blade is a single piece.

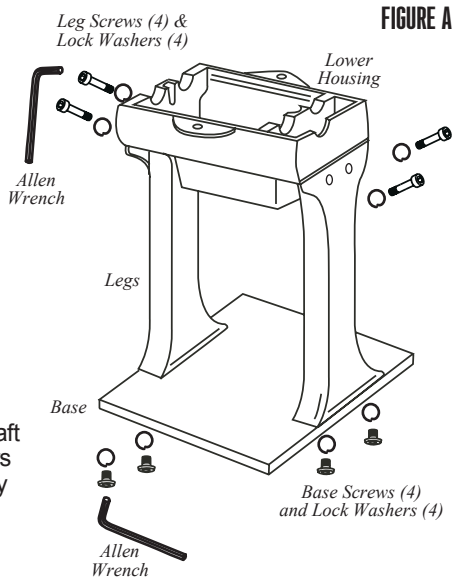


FIGURE A

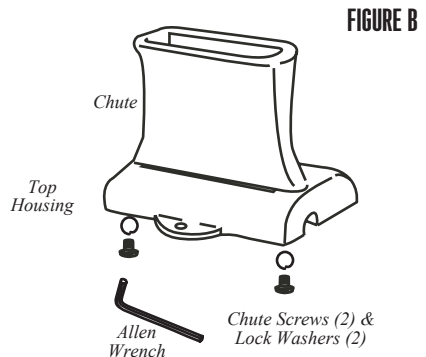


FIGURE B

5. Position the Top Housing onto the Lower Housing and line up the screw holes.

6. Secure the Top Housing to the Lower Housing using the 2 Housing Thumbscrews. **DO NOT OVERTIGHTEN!** **FIGURE D**

7. Insert the Left Comb and Right Comb into the Top Housing. **FIGURE D**

NOTE: The Left Comb is marked with an "L" on the upper portion of the Comb. The Top Housing is marked with an "L Comb" and "R Comb" to aid in Comb installation.

8. Install Handle onto the Blade Drive Shaft. Secure the Handle to Drive Shaft with the Handle Thumbscrew. **FIGURE E**

9. To change Blades, follow "Assembly Instructions" as outlined.

FIGURE C

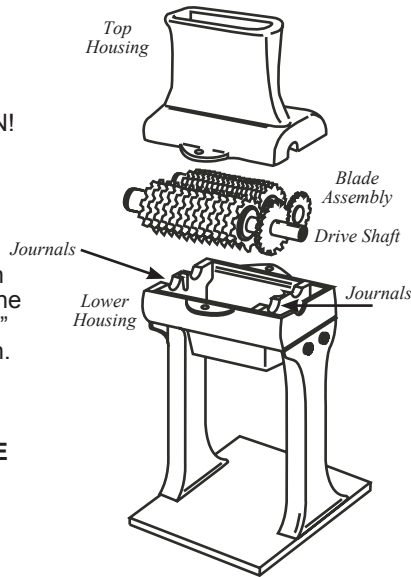


FIGURE D

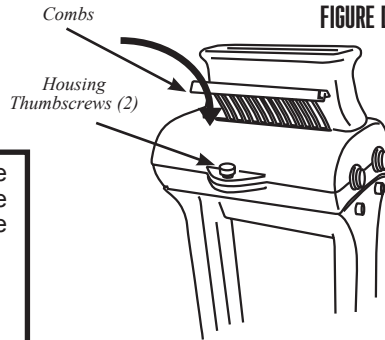
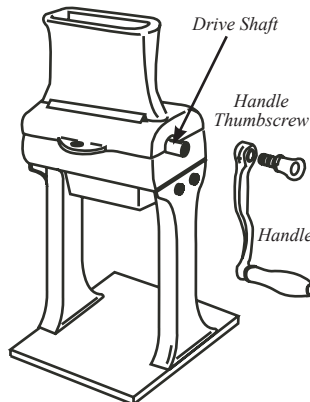
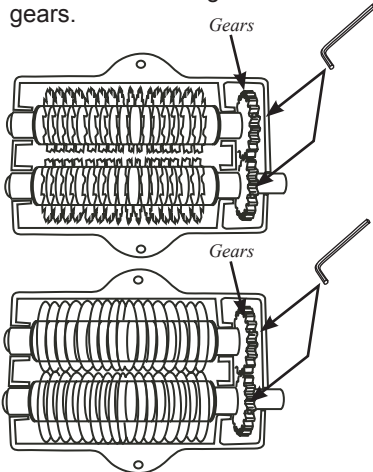


FIGURE E



NOTE: Periodically the gears on the **Blades** need to be tightened. Use the **Allen Wrench** to tighten the screw on the gears.



DIRECTIONS FOR USE

⚠ CAUTION **Cut Hazard.** Keep fingers out of feed opening. Always use the provided tongs.

1. Secure the Base to the work surface with the 2 C-Clamps. Make sure the Handle can freely rotate. **FIGURE F**

2. Make sure the Combs are properly installed. **DO NOT** use the Tenderizer/Jerky Slicer without the Combs in place.

3. Meat cuts should be $1\frac{1}{4}$ " (3.2 cm) thick or less. Cuts of meat that are too thick may damage the Blades. Remove all bones or hard items in the meat before tenderizing or cubing. Damage to the unit may occur if bones or hard objects are pushed through.

4. Using the Tongs, insert meat into the opening at the top of the Chute until the meat contacts the Blades. Do not allow the Tongs to contact the Blades. **FIGURE G**

5. While facing the Tenderizer/Jerky Slicer with the Handle to the right, rotate the Handle **CLOCKWISE** to tenderize or slice the meat. The Blades will pull meat through the Tenderizer/Jerky Slicer. **DO NOT** force meat into the Blades.

6. It may be necessary to pass the meat through the Cuber/Tenderizer several times to obtain the desired results. You may also pass the meat through at different angles if a different result is desired.

FIGURE F

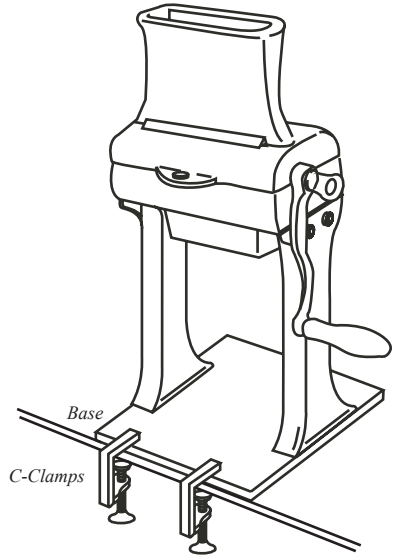
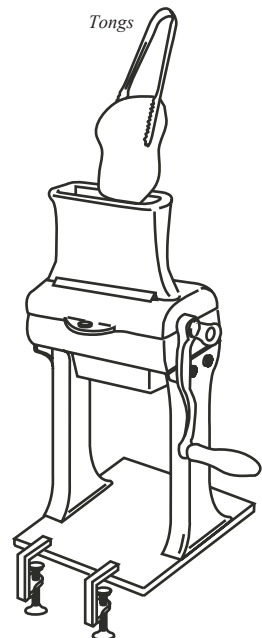


FIGURE G



FOOD SAFETY

There are basic rules to follow when handling food. They are **COOK, SEPARATE, CLEAN,** and **CHILL.**

COOK

It's crucial to cook food to a safe internal temperature to destroy bacteria that is present. The safety of hamburgers and other foods made with ground meat has been receiving a lot of attention lately, and with good reason. When meat is ground, the bacteria present on the surface is mixed throughout the ground mixture. If this ground meat is not cooked to at least 160°F to 165°F (71°C to 74°C), bacteria will not be destroyed and there's a good chance you will get sick.

Solid pieces of meat like steaks and chops don't have dangerous bacteria like E. coli on the inside, so they can be served more rare. Still, any beef cut should be cooked to an internal temperature of at least 145°F (63°C) (medium rare). The safe temperature for poultry is 165°F (75°C) and solid cuts of pork should be cooked to 145°F (63°C).

SEPARATE

Foods that will be eaten uncooked and foods that will be cooked before eating **MUST ALWAYS** be separated. Cross-contamination occurs when raw meats or eggs come in contact with foods that will be eaten uncooked. This is a major source of food poisoning. Always double-wrap raw meats and place them on the lowest shelf in the refrigerator so there is no way juices can drip onto fresh produce. Then use the raw meats within 1-2 days of purchase, or freeze for longer storage. Defrost frozen meats in the refrigerator, not on the counter.

When grilling or cooking raw meats or fish, make sure to place the cooked meat on a clean platter. Don't use the same platter you used to carry the food out to the grill. Wash the utensils used in grilling after the food is turned for the last time on the grill, as well as spatulas and spoons used for stir-frying or turning meat as it cooks.

Make sure to wash your hands after handling raw meats or raw eggs. Washing hands with soap and water, or using a pre-moistened antibacterial towelette is absolutely necessary after you have touched raw meat or raw eggs. Not washing hands and surfaces while cooking is a major cause of cross-contamination.

CLEAN

Wash your hands and work surfaces frequently when you are cooking. Washing with soap and warm water for at least 15 seconds, then dry with a paper towel.

CHILL

Chilling food is very important. The danger zone where bacteria multiply is between 40°F and 140°F (4°C and 60°C). Your refrigerator should be set to 40°F (4°C) or below; your freezer should be 0°F (-17°C) or below. Simple rule: serve hot foods hot, cold foods cold. Use chafing dishes or hot plates to keep food hot while serving. Use ice water baths to keep cold foods cold. Never let any food sit at room temperature for more than 2 hours - 1 hour if the ambient temperature is 90°F (32°C) or above. When packing for a picnic, make sure the foods are already chilled when they go into the insulated hamper. The hamper won't chill food - it just keeps food cold when properly packed with ice. Hot cooked foods should be placed in shallow containers and immediately refrigerated so they cool rapidly. Make sure to cover foods after they are cool.

NOTE: Special considerations must be made when using venison or other wild game, since it can become heavily contaminated during field dressing. Venison is often held at temperatures that could potentially allow bacteria to grow, such as when it is being transported. Refer to the USDA Meat and Poultry Department for further questions or information on meat and food safety.



ONE-YEAR LIMITED WARRANTY

This warranty applies to products purchased and used in the U.S. and Canada. This is the only express warranty for this product and is in lieu of any other warranty or condition.

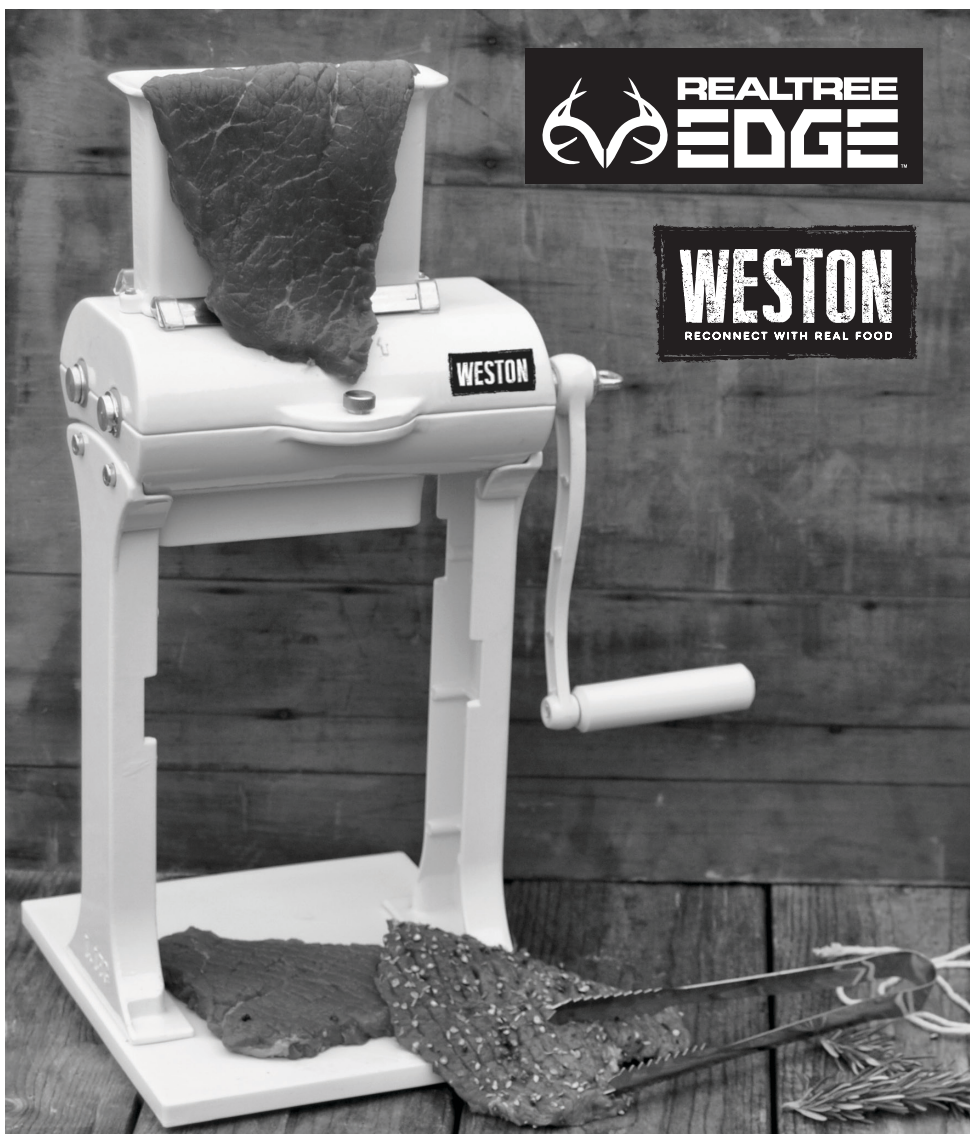
This product is warranted to be free from defects in material and workmanship for a period of one (1) year from the date of original purchase. During this period, your exclusive remedy is repair or replacement of this product or any component found to be defective, at our option. If the product or component is no longer available, we will replace with a similar one of equal or greater value.

This warranty does not cover unauthorized repairs or service to products, products sold "as-is" by retailers, glass, filters, wear from normal use, use not in conformity with the printed directions, or damage to the product resulting from accident, alteration, abuse, or misuse. This warranty extends only to the original consumer purchaser or gift recipient and is not transferable. Keep the original sales receipt, as proof of purchase is required to make a warranty claim. This warranty is void if the product is subjected to any voltage and waveform other than as specified on the rating label (e.g., 120V ~ 60 Hz).

We exclude all claims for special, incidental and consequential damages caused by breach of express or implied warranty. All liability is limited to the amount of the purchase price. **Every implied warranty, including any statutory warranty or condition of merchantability or fitness for a particular purpose, is disclaimed except to the extent prohibited by law, in which case such warranty or condition is limited to the duration of this written warranty.**

This warranty gives you specific legal rights. You may have other legal rights that vary depending on where you live. Some states or provinces do not allow limitations on implied warranties or special, incidental, or consequential damages, so the foregoing limitations may not apply to you.

To make a warranty claim, do not return this appliance to the store. Please call 1.800.814.4895 (001.216.901.6801 outside the US) or visit WestonSupply.com. For faster service, locate the model, type, and series numbers on your appliance.



**REALTREE
EDGE**

WESTON
RECONNECT WITH REAL FOOD

ABLANDADORA Y CORTADORA EN CUBOS DE CARNE

2 en 1 manual

07-3701-RE

DEBIDO A CONSTANTES MEJORAS EN LA FÁBRICA, EL PRODUCTO QUE SE MUESTRA PUEDE SER LIGERAMENTE DIFERENTE DEL PRODUCTO EN ESTA CAJA.

SALVAGUARDIAS IMPORTANTES

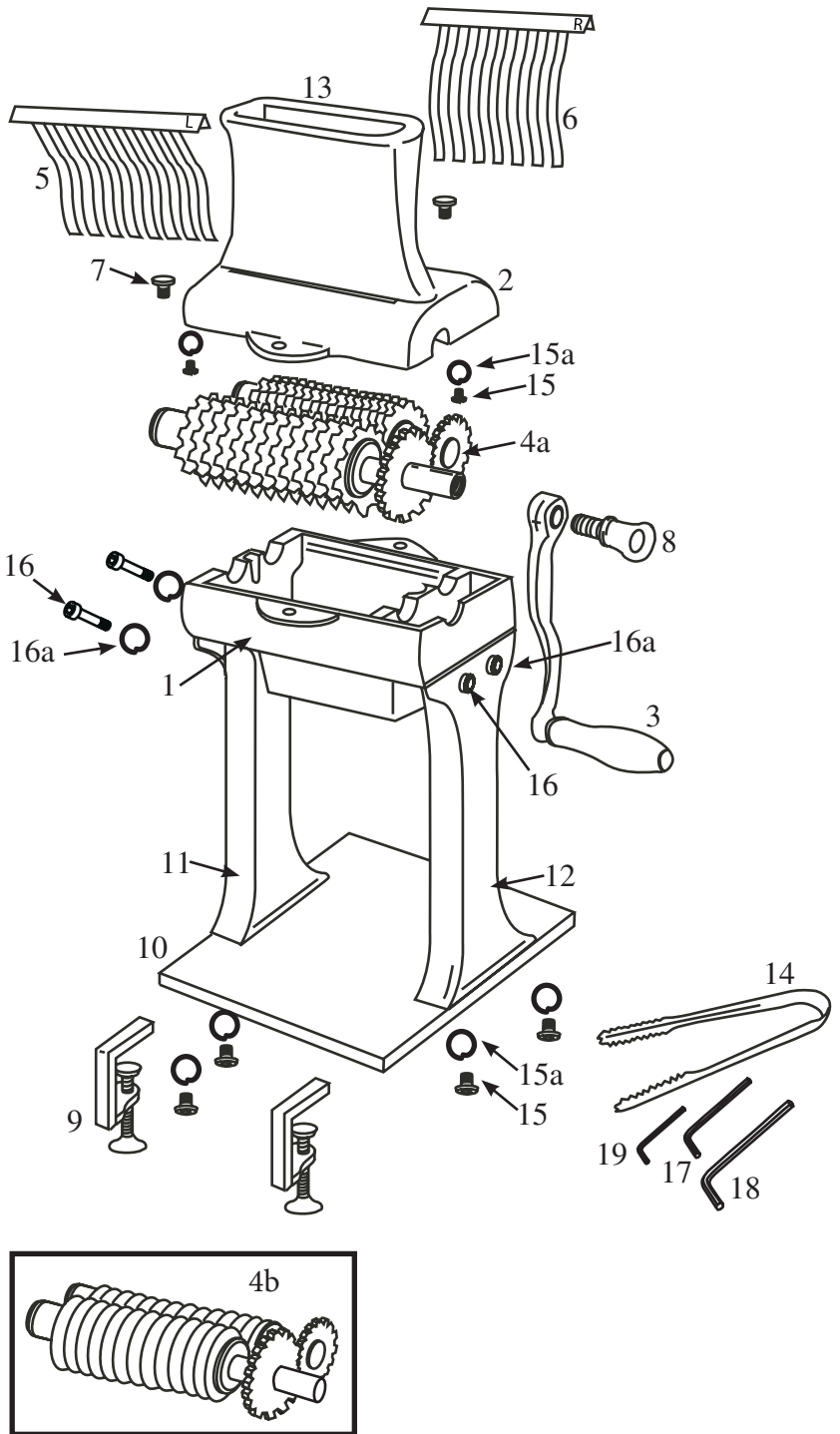
Cuando utilice artefactos eléctricos, siempre deben seguirse precauciones de seguridad básicas a fin de reducir el riesgo de incendio, descarga eléctrica, y/o lesiones a personas, incluyendo las siguientes:

1. Lea todas las instrucciones.
2. **NUNCA META LA MANO EN el Ablandador/Rebanador de cecina.** Hacerlo podría causarle lesiones graves. **USE SIEMPRE LAS PINZAS QUE SE ADJUNTAN.**
3. **MANTENGA LOS DEDOS LEJOS DE LAS NAVAJAS EN TODO MOMENTO.** No hacerlo puede causar lesiones. El conjunto de navajas y navajas de corte es muy filoso. Use guantes de Kevlar resistentes a los cortes (se venden por separado) al manejar las navajas.
4. **NO presione ni empuje la carne en el vertedero con los dedos o algún otro objeto.** Hacerlo puede causarle lesiones y daños en el aparato.
5. **NUNCA use los dedos para raspar el alimento del ablandador/rebanador de cecina mientras esté en funcionamiento. PUEDEN PRODUCIRSE LESIONES GRAVES.**
6. **NO empuje las pinzas or other ni otros utensilios en las navajas**
7. **NUNCA DEJE SIN SUPERVISIÓN EL ablandador/rebanador de cecina.** Es necesaria la supervisión cercana cuando se use cualquier aparato cerca de niños. Este aparato **NO DEBE** ser usado por niños.
8. **NUNCA use accesorios o partes de otros fabricantes.** Hacerlo **ANULA LA GARANTÍA.**
9. Limpie cuidadosamente todas las partes que entren en contacto con los alimentos antes de usar el ablandador/rebanador de cecina. Lave a mano todas las partes y séquelas bien. Se recomienda usar guantes protectores y resistentes a los cortes de para manipular las cuchillas.
10. **NO trate de ablandar o rebanar carne con hueso u otras partes duras.** Eso dañaría la máquina.
11. **RECÓJASE el pelo suelto y la ropa y enróllese las mangas antes de manejar el ablandador/rebanador de cecina. QUITESE la corbata, anillos, relojes, brazaletes y demás joyería antes de manejarlo.**
12. **NO USE el ablandador/rebanador de cecina bajo los efectos de drogas, medicamentos o alcohol.**

¡GUARDE ESTAS INSTRUCCIONES!



INSTRUCCIONES EN ESPAÑOL



LISTA DE COMPONENTES

NÚMERO DE DIAGRAMA	DESCRIPCIÓN DE LA PIEZA	NÚMERO DE PIEZA
1	GABINETE INFERIOR	07-3184-A
2	GABINETE SUPERIOR	07-3181-A
3	MANGO	07-3125-A
4A	CONJUNTO DE LA REJILLAS DE NAVAJAS DE ACERO INOXIDABLE	07-3103
4B	NAVAJAS DE LA REBANADORA DE CECINA	07-3302-W
5	PEINE IZQUIERDO DE ACERO INOXIDABLE	07-3119
6	PEINE DERECHO DE ACERO INOXIDABLE	07-3118
7	TORNILLO DE MANO DEL GABINETE (2)	07-3166
8	TORNILLO DE MANO DEL MANGO	07-3145
9	TORNILLO DE BANCO (2)	07-3105
10	BASE	07-3111
11	PATA DE SOPORTE IZQUIERDA	07-3179-L-A
12	PATA DE SOPORTE DERECHA	07-3179-R-A
13	VERTEDOR	07-3182-A
14	PINZAS DE ACERO INOXIDABLE	07-3151
15	TORNILLO DEL VERTEDOR Y DE LA BASE (6)	07-3183
15A	VERTEDOR Y ARANDELAS DE LA BASE (6)	N/A
16	TORNILLO DE LA PATA (4)	07-3180
16A	ARANDELAS DE LA PATA (4)	N/A
17	LLAVE ALLEN/TORNILLOS DEL VERTEDOR Y DE LA BASE	07-3178
18	LLAVE ALLEN/TORNILLOS DE LA PATA	07-3185
19	LLAVE ALLEN/NAVAJAS	07-3186

Si cualquier componente de esta unidad está roto, si no funciona debidamente, o si necesita un instructivo de repuesto, visítenos en la Web en

WestonSupply.com

O llame a Weston Brands, LLC larga distancia sin costo 1-800-814-4895
De lunes a viernes, de 8:00 am a 5:00 pm tiempo del ET. Fuera de Estados Unidos llame
al 001-216-901-6801

INSTRUCCIONES DE LIMPIEZA

1. Lave cuidadosamente todas las partes en agua caliente y jabonosa. Enjuague con agua limpia. Seque todas las piezas de inmediato. **NOTA:** NO sumerja el conjunto de navajas en agua jabonosa donde no pueda verlo. Para evitar lesiones, mantenga visible el conjunto de navajas en todo momento.

2. Revista todas las partes de metal con un rocío de silicona para alimentos.

CONSEJO ÚTIL: Un cepillo largo y delgado es muy útil para limpiar el conjunto de navajas.

INSTRUCCIONES DE MONTAJE

⚠ ADVERTENCIA Peligro de Cortaduras. Las cuchillas son filosas, tenga cuidado al manipularlas. Se sugiere el uso de guantes resistentes a cortes.

1. Conecte las patas izquierda y derecha a la base, usando la llave Allen que se proporciona y 4 tornillos de base y arandelas.

FIGURA A

2. Usando la llave Allen y 4 tornillos de pata y 4 arandelas, fije las patas izquierda y derecha al gabinete inferior.

3. Instale el vertedor en el gabinete superior usando la Allen Wrench and the 2 llave Allen y 2 tornillos de vertedor y arandelas.

FIGURA B

4. Inserte el conjunto de navajas en el gabinete inferior guiando el eje de transmisión en los cojinetes. Revise que los engranes y las navajas del conjunto de navajas estén bien acomodados y apoyados en los cojinetes (**FIGURA C**). **NOTA:** La navaja ablandadora es un juego de dos piezas. La navaja rebanadora de cecina es una sola pieza.

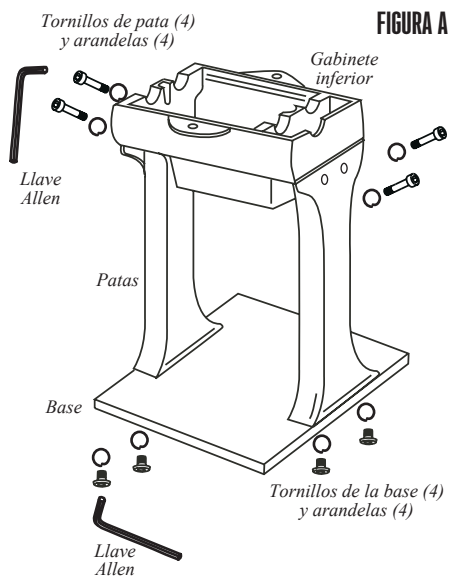


FIGURA A

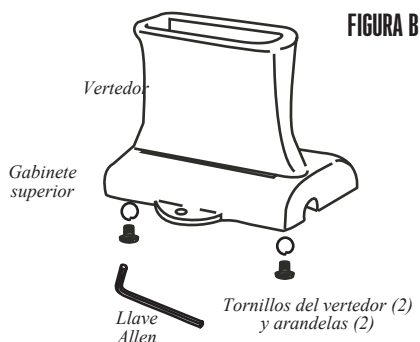


FIGURA B

5. Coloque el gabinete superior encima del inferior y alinee los agujeros de los tornillos.

6. Fije el gabinete superior en el inferior usando los dos tornillos de mano para el gabinete. ¡NO LOS APRIETE EN EXCESO!
FIGURA D

7. Inserte el peine izquierdo y el derecho en el gabinete superior. **FIGURA D**

NOTA: El peine izquierdo está marcado con una "L" en la parte superior. El gabinete superior tiene las marcas "L Comb" y "R Comb" (peine izquierdo y derecho, respectivamente) para ayudar en su instalación.

8. Instale el mango en el eje de transmisión de las navajas. Fije el mango en el eje de transmisión con el tornillo de mano del mango. **FIGURA E**

9. Para cambiar las navajas siga las "Instrucciones de ensamble" como se indica.

FIGURA C

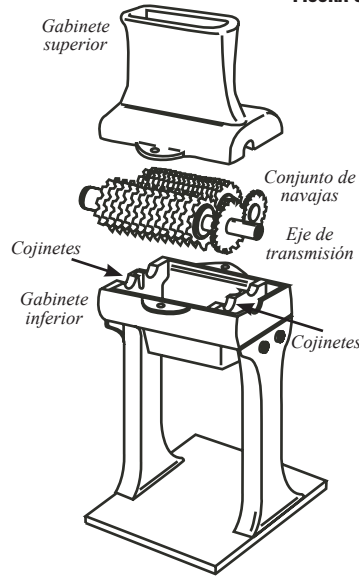


FIGURA D

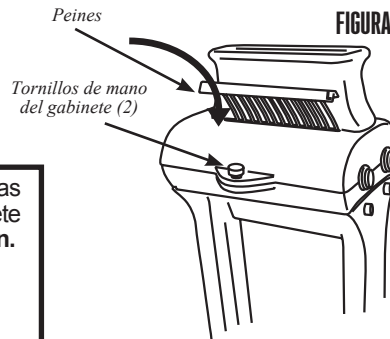
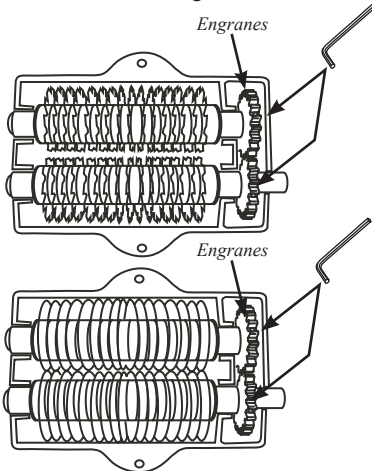


FIGURA E



NOTA: Los engranes de las navajas necesitan apretarse periódicamente. Apriete el tornillo de los engranes con la llave Allen.



INSTRUCCIONES DE USO

⚠ PRECAUCIÓN

Peligro de Cortaduras. Mantenga los dedos fuera de la abertura de alimentación. Utilice siempre las pinzas proporcionadas.

1. Fije la base a la superficie de trabajo con los dos tornillos de banco. Revise que el mango pueda girar libremente. **FIGURA F**
2. Revise que los peines estén debidamente instalados. **NO** use el ablandador y rebanador de cecina sin los peines instalados.
3. Los cortes de carne deben ser de 3.2 cm (1¹/₄") de grosor o menos. Los cortes de carne demasiado gruesos pueden dañar las navajas. Quite todos los huesos y otras piezas duras de la carne antes de ablandarla o cortarla en cubos. El aparato puede dañarse si le empujan huesos u objetos duros.

4. Con las pinzas inserte la carne en la abertura superior del vertedero hasta que la carne toque las navajas. No permita que las pinzas toquen las navajas. **FIGURA G**

5. Con la ablandadora/rebanadora de cecina con el mango a la derecha, gire el mango en sentido de las manecillas para ablandar o rebanar la carne. Las navajas empujan a la carne a través de la ablandadora/rebanadora de cecina. **NO** meta a fuerzas la carne en las navajas.

6. Puede ser necesario pasar la carne varias veces por la cortadora en cubos/ablandadora para lograr los resultados deseados. También puede pasar la carne en diferentes ángulos si desea un resultado diferente.

FIGURA F

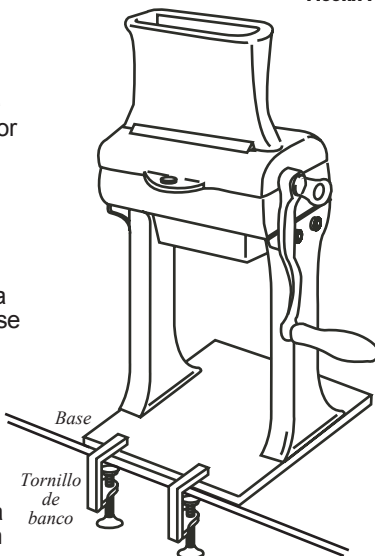
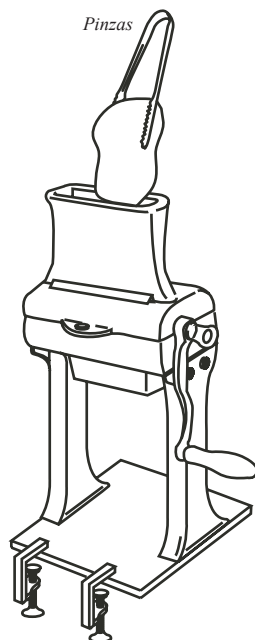


FIGURA G



SEGURIDAD DE LOS ALIMENTOS

Hay que seguir ciertas reglas básicas al manejar alimentos.
Las reglas son **COCINAR, SEPARAR, LIMPIAR y ENFRIAR.**

COCINAR

Es muy importante cocinar los alimentos a una temperatura interna que destruya cualquier bacteria que esté presente. Últimamente se ha puesto mucha atención en la higiene de las hamburguesas y otros alimentos elaborados con carne molida y con razón. Cuando se muele la carne, las bacterias presentes en la superficie se revuelven en toda la mezcla de la carne molida. Si la carne molida no se cuece a por lo menos 71°C a 74°C (160°F - 165°F), no se destruyen las bacterias y hay una buena posibilidad de enfermarse.

Las piezas de carne sólida, como los filetes y las chuletas, no tienen en su interior bacterias peligrosas como le E. coli, por lo que pueden servirse menos cocidas. Aun así, cualquier corte de vacuno debe cocinarse a una temperatura interna de por lo menos 63°C (145°F) (medio cocido). La temperatura recomendable para las aves es de 75°C (165°F) y los cortes sólidos de carne de puerco deben cocinarse a 71°C (160°F).

SEPARAR

SIEMPRE DEBE separar los alimentos que se comen crudos y los que se vayan a cocer antes de comerse. La contaminación cruzada se presenta cuando la carne o los huevos crudos entran en contacto con alimentos que se van a consumir sin cocimiento. Ésta es una importante causa de intoxicaciones. Siempre use una doble envoltura para la carne cruda y colóquela en la repisa más baja del refrigerador, para que no haya manera de que su jugo gotee en las verduras frescas. Use la carne cruda 1 o 2 días después de comprarla, o congélela para guardarla más tiempo. Descongele la carne congelada en el refrigerador, no en el mesón de la cocina.

Cuando ase o cocine carne o pescado crudo, coloque la carne ya cocida en un platón limpio. No use el mismo platón que usó para llevar la carne al asador. Lave los utensilios usados en el asador después de haber volteado los alimentos por última vez, así como las cucharas y espátulas usadas para freír o para voltear la carne al estarla cocinando.

No olvide lavarse las manos después de manejar carne o huevos crudos. Es absolutamente necesario lavarse las manos con agua y jabón o usar una toallita húmeda antibacteriana después de tocar carne o huevos crudos. No lavarse las manos o las superficies cuando se cocina es una causa importante de contaminación cruzada.

LIMPIAR

Lávese las manos y las superficies de trabajo con frecuencia mientras esté cocinando. Lávese con agua tibia y jabón durante por lo menos 15 segundos; después séquese con una toalla de papel.

ENFRIAR

Es muy importante enfriar los alimentos. La zona de peligro para la multiplicación de bacterias está entre los 4 °C y 60 °C (40 °F - 140 °F). El refrigerador debe estar a 4 °C (40 °F) o menos; el congelador debe estar a -17 °C (0 °F) o menos. Regla básica: sirva calientes los alimentos calientes y sirva fríos los alimentos fríos. Use platos calientes para mantener caliente la comida a la hora de servirla. Use baños de agua con hielo para mantener fría la comida fría. Nunca deje ningún alimento a temperatura ambiente por más de 2 horas; o por más de 1 hora si la temperatura ambiente es de 32 °C (90 °F) o superior. Cuando empaque para un picnic, asegúrese de que la comida ya esté fría cuando la meta en la canasta aislada. La canasta no enfría la comida; sólo la mantiene fría si está debidamente empacada con hielo. Los alimentos cocidos calientes deben colocarse en recipientes bajos y refrigerarse de inmediato para que se enfríen rápidamente. No olvide cubrir los alimentos una vez que se enfríen..

NOTA: Debe tener especial consideración al usar venado y otra carne de caza, ya que puede contaminarse durante la preparación de campo. El venado suele mantenerse a temperaturas que podrían permitir el crecimiento de bacterias, como cuando se transporta. Consulte con el Departamento de Carnes y Aves de la USDA si tiene más preguntas o quiere más información sobre higiene de carne y alimentos.



GARANTÍA LIMITADA DE UN AÑO

Esta garantía se aplica a los productos que se compran y utilizan en EE. UU. y Canadá. Esta es la única garantía expresa para este producto, y se otorga en lugar de cualquier otra garantía o condición.

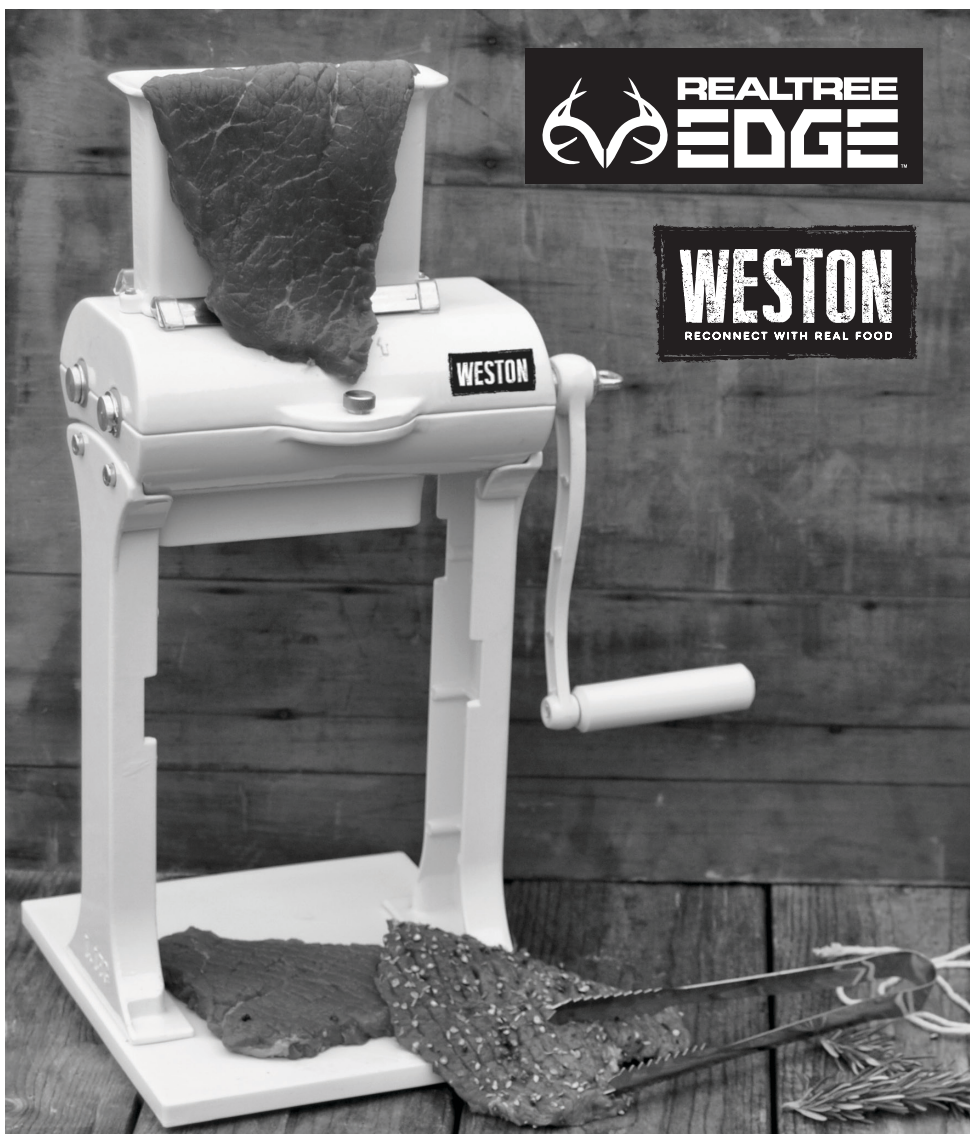
Se garantiza que este producto está libre de defectos de materiales y de mano de obra por un período de un (1) año desde la fecha de la compra inicial. Durante este período, su exclusiva compensación es la reparación o el reemplazo de este producto o cualquier componente que resulte defectuoso, a nuestra elección. Si un producto o componente ya no está disponible, lo reemplazaremos con otro comparable de igual o mayor valor.

Esta garantía no cubre reparaciones ni servicios no autorizados, productos vendidos por minoristas "en el estado en que se encuentran", vidrios, filtros, desgaste por uso normal, uso no conforme con las instrucciones impresas, o daños al producto como resultado de un accidente, alteración, abuso o uso indebido. Esta garantía se aplica solo al consumidor que es el comprador original o quien recibe el regalo, y es intransferible. Conserve el recibo original de compra, ya que necesitará el comprobante de compra para cualquier reclamo bajo la garantía. Esta garantía es nula si el producto es sometido a cualquier voltaje o forma de onda que difieran de lo especificado en la etiqueta de clasificación (por ej. 120 V ~ 60 Hz).

Excluimos todo reclamo por daños especiales, incidentales y consecuentes causados por la violación de la garantía expresa o implícita. Cualquier posible responsabilidad por daños se limita al monto del precio de compra. **Se renuncia a toda garantía implícita, incluida cualquier garantía reglamentaria o condición de comercialización o de adecuación a un propósito específico, excepto en los casos en que la ley lo prohíbe, en donde tal garantía o condición está limitada a la duración de esta garantía escrita.**

Esta garantía limitada le otorga a usted derechos legales específicos. Usted puede tener otros derechos legales que variarán según el lugar donde viva. Algunos estados o provincias no permiten limitaciones en cuanto a las garantías implícitas, o a daños especiales, incidentales o consecuentes, por lo que las limitaciones anteriores pueden no aplicarse.

Para hacer un reclamo de garantía, no devuelva el aparato a la tienda. Por favor llame 1.800.814.4895 (001.216.901.6801) fuera de los EE. UU. Visite WestonSupply.com. Para un servicio más rápido, localice el modelo, tipo y número de serie de su aparato.



**REALTREE
EDGE**

WESTON
RECONNECT WITH REAL FOOD

ATTENDRISEUR ET TRANCHEUR À VIANDE 2 EN 1 MANUEL 07-3701-RE

PARCE QUE NOS PRODUITS BÉNÉFICIENT DE PERFECTIONNEMENTS CONSTANTS APPORTÉS EN USINE, LES ILLUSTRATIONS PRÉSENTES PEUVENT ÊTRE LÉGÈREMENT DIFFÉRENTES DU PRODUIT REÇU.

PRÉCAUTIONS IMPORTANTES

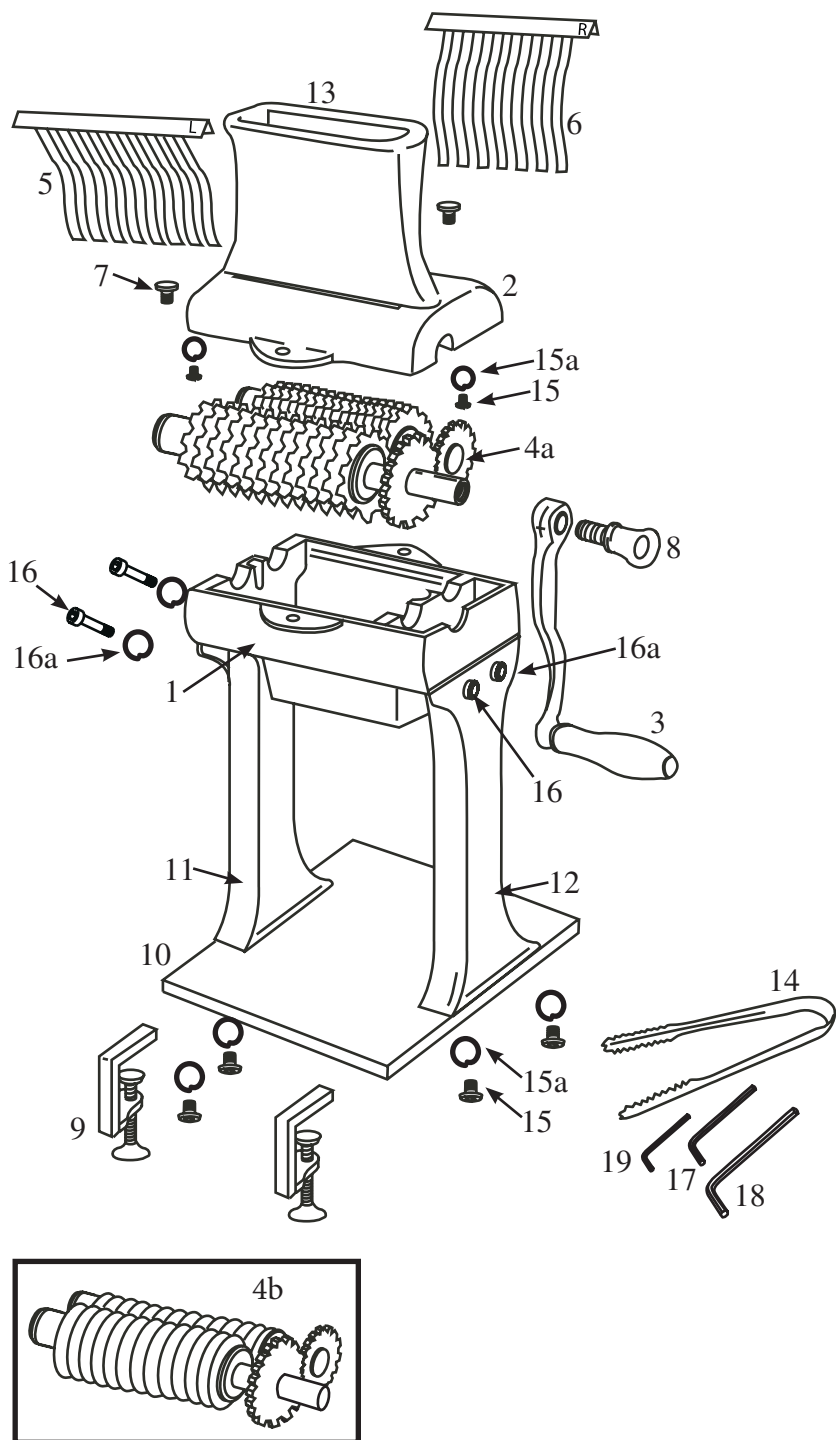
Pour utiliser un appareil électroménager, vous devez toujours prendre des mesures élémentaires de sécurité pour réduire le risque d'incendie, d'électrocution et/ou de blessure corporelle, en particulier les mesures suivantes:

1. Lire toutes les instructions.
2. Avant la toute première utilisation de l'attendrisseur, laver à fond toutes les pièces conformément à la section INSTRUCTIONS DE DÉMONTAGE ET D'ENTRETIEN de ce guide.
3. Avant d'utiliser l'attendrisseur, regarder s'il est parfaitement assemblé, toutes les pièces solidement en place.
4. Pour éviter d'endommager l'attendrisseur, NE PAS attendre une viande qui contient des os ou des objets durs, tels les plombs de chasse.
5. L'attendrisseur de viande n'est pas un jouet ! GARDER LES ENFANTS HORS DE PORTÉE !
6. NE JAMAIS insérer les doigts, ni des corps étrangers dans la goulotte.
7. Pour éviter les blessures ou les dégâts matériels, NE PAS forcer la viande dans les lames.
8. NOUER les cheveux longs, les vêtements amples, retrousser ses manches, enlever sa cravate et les bijoux (bagues, bracelets, montre...) avant d'utiliser l'attendrisseur.
9. Ne JAMAIS poser un accessoire ou une pièce d'un autre fabricant avec l'attendrisseur de viande. Un tel ajout endommagera l'outil et annulera la garantie.
10. Une utilisation impropre ou une modification de l'attendrisseur annuleront également la garantie.
11. Cet attendrisseur de viande est réservé à un usage domestique ; un usage commercial annulera la garantie.
12. Ne pas utiliser l'attendrisseur après avoir pris des médicaments ou de l'alcool.

CONSERVER CES DIRECTIVES!



INSTRUCTIONS EN FRANÇAIS



DESCRIPTION DE LA PIÈCE

NUMÉRO DE SCHÉMA	DESCRIPTION DE LA PIÈCE	NUMÉRO DE LA PIÈCE
1	BOÎTIER INFÉRIEUR	07-3184-A
2	BOÎTIER SUPÉRIEUR	07-3181-A
3	MANIVELLE	07-3125-A
4A	ENSEMBLE DE ROULEAUX ATTENDRISEURS	07-3103
4B	LAMES POUR TRANCHEUSE DE LANIÈRES DE VIANDE	07-3302-W
5	GRIFFE GAUCHE	07-3119
6	GRIFFE DROITE	07-3118
7	VIS À OREILLES DE LA MANIVELLE	07-3166
8	BRIDES EN C (2)	07-3145
9	BASE	07-3105
10	PIED D'APPUI GAUCHE	07-3111
11	PIED D'APPUI DROITE	07-3179-L-A
12	GOULOTTE	07-3179-R-A
13	PINCE EN ACIER INOXYDABLE	07-3182-A
14	VIS DE GOULOTTE ET DE LA BASE (6)	07-3151
15	GOULOTTE ET RONDELLES-FREINS DE LA BASE (6)	07-3183
15A	VIS DU PIED D'APPUI (4)	N/A
16	RONDELLES-FREINS DES PIEDS D'APPUI (4)	07-3180
16A	CLÉ HEXAGONALE POUR VIS DE GOULOTTE	N/A
17	CLÉ HEXAGONALE POUR VIS DE PIED D'APPUI	07-3178
18	CLÉ HEXAGONALE POUR VIS DE LAMES	07-3185
19	LLAVE ALLEN/NAVAJAS	07-3186

N'hésitez pas à visiter notre site [Web WestonSupply.com/support](http://WebWestonSupply.com/support) si un composant est cassé, l'outil fonctionne mal, ou pour commander un nouveau mode d'emploi.

WestonSupply.com

Veuillez appeler Weston Brands, LLC au numéro sans frais : 1-800-814-4895
Du lundi au vendredi: de 8h00 à 17h00 ET. En dehors des États-Unis, veuillez appeler le 001-216-901-6801

INSTRUCTIONS DE DÉMONTAGE ET D'ENTRETIEN

1. Laver à fond toutes les pièces dans de l'eau savonneuse. Rincer à l'eau claire. Sécher les pièces immédiatement. **REMARQUE** : Ne pas plonger hors de vue les rouleaux dans l'eau savonneuse. Pour éviter de se blesser, ne jamais perdre de vue les rouleaux.

2. Vaporiser sur les pièces métalliques de la silicone alimentaire pour les protéger contre la corrosion.

Conseil avisé : Une brosse longue et mince est utile pour nettoyer les rouleaux.

INSTRUCTIONS D'ASSEMBLAGE

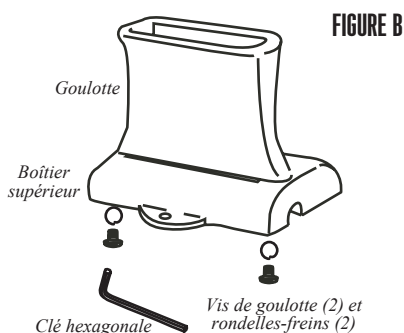
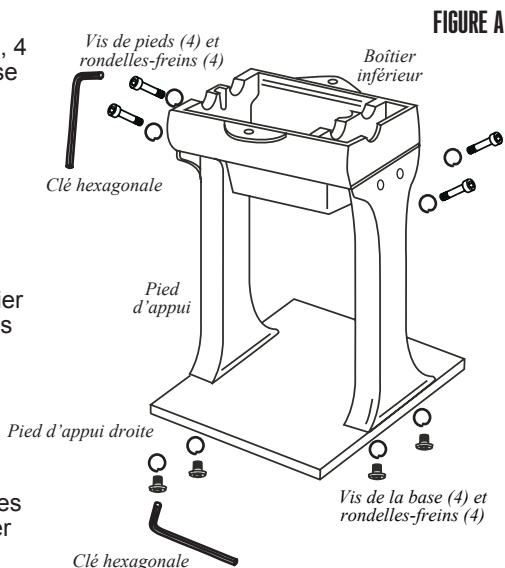
⚠ AVERTISSEMENT **Risque de coupures.** Les lames sont tranchantes, faites attention lors de la manipulation. L'utilisation de gants résistant aux coupures est suggérée.

1. Visser les pieds gauche et droit à la base (clé hexagonale, 4 vis et rondelles-freins de la base fournies, cf. **FIGURE A**).

2. Visser les pieds gauche et droit au boîtier inférieur (clé hexagonale, 4 vis et rondelles-freins de pieds fournies, cf. **FIGURE A**).

3. Visser la goulotte sur le boîtier supérieur (clé hexagonale, 2 vis et rondelles-freins de goulotte fournies, cf. **FIGURE B**).

4. Déposer l'ensemble de lames dans le boîtier inférieur, l'axe d'entraînement sur les tourillons : les roues et les lames doivent parfaitement s'engrener et reposer sur les tourillons (cf. **FIGURE C**). **REMARQUE** : L'ensemble de lames de l'attendrisseur est en 2 pièces. L'ensemble de lames de la trancheuse à viande séchée est monobloc.



5. Enfiler la manivelle sur l'arbre des rouleaux attendrisseurs.

6. Joindre le boîtier supérieur au boîtier inférieur avec les 2 vis à serrage à main. **VEILLER À NE PAS TROP SERRER !** **FIGURE D**

7. Insérer les griffes gauche et droite dans leboîtier supérieur. **FIGURE D**

Remarque : Les griffes et le boîtier supérieur sont marqués L (gauche) et D (droit) pour guider la mise en place.

8. Enfiler la manivelle sur l'axe d'entraînement, puis la fixer avec la vis à serrage à main. **FIGURE E**

9. Pour changer l'ensemble de lames, suivre les instructions d'assemblage 4-8.

FIGURE C

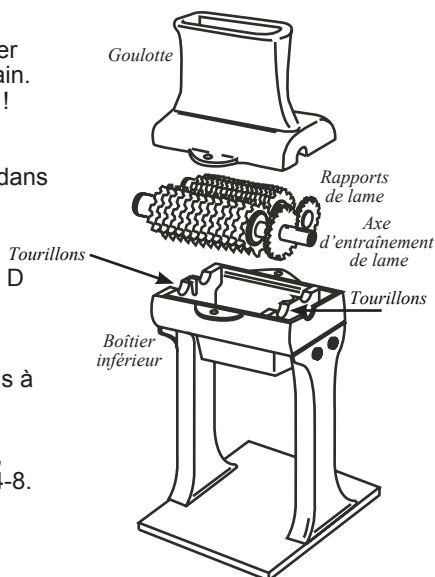


FIGURE D

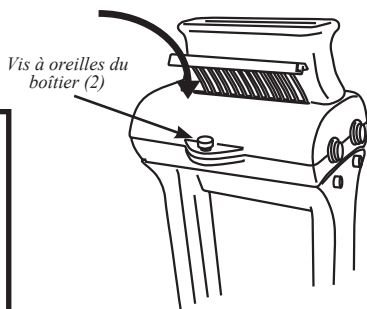
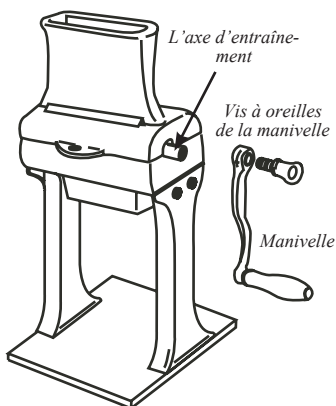
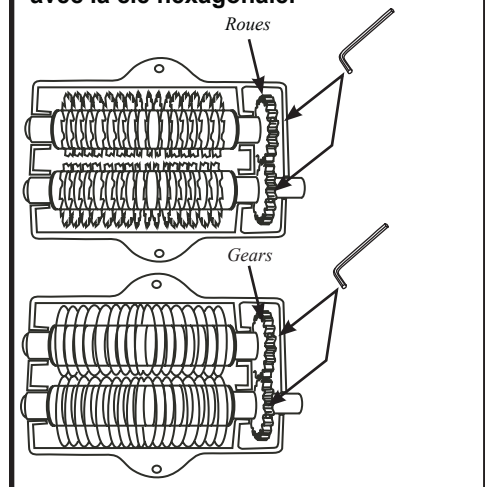


FIGURE E



REMARQUE : Les roues de lames doivent être périodiquement resserrées. Resserrer la vis des roues avec la clé hexagonale.



MODE D'EMPLOI

⚠ ATTENTION

Risque de coupures. Gardez les doigts hors de l'ouverture d'alimentation. Toujours utiliser les pinces fournies.

1. Accrocher le socle au plan de travail avec les 2 brides en C. S'assurer que la manivelle tourne librement. **FIGURE F**

2. Regarder si les griffes ont été insérées au bon endroit. Ne pas utiliser l'attendrisseur de viande sans les griffes en place.

3. L'épaisseur des morceaux de viande ne doit pas être supérieure à 2,5 cm (1 po) : des morceaux trop épais risquent d'endommager les lames. Une utilisation impropre ou une modification de l'attendrisseur annuleront également la garantie.

4. Insérer la viande dans la goulotte, jusqu'à ce qu'elle touche les lames. Pour éviter les blessures ou les dégâts matériels, **NE PAS** forcer la viande dans les lames. **FIGURE G**

5. Tourner la manivelle **DANS LE SENS DES AIGUILLES D'UNE MONTRE** pour attendrir la viande. La viande traversera les rouleaux de l'attendrisseur. Ne pas forcer la viande dans les rouleaux; les lames risquent d'être endommagées !

6. Il faut parfois passer la viande plusieurs fois dans l'attendrisseur pour obtenir les résultats souhaités. Par ailleurs, pour varier ces résultats, engager la viande à des angles différents.

FIGURE F

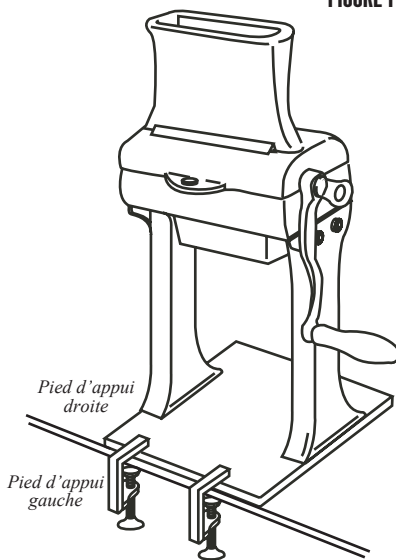
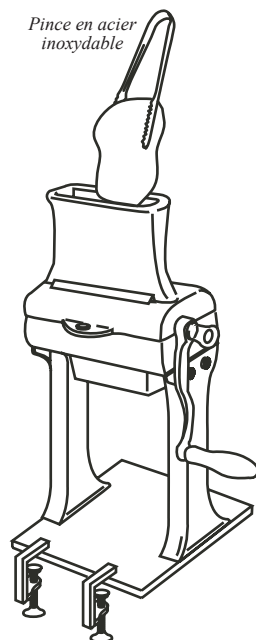


FIGURE G



SÉCURITÉ ALIMENTAIRE

Il y a des règles fondamentales à suivre lors de la manipulation d'aliments. Elles sont **CUIRE, SÉPARER, NETTOYER, et REFROIDIR RAPIDEMENT.**

CUIRE

Il est crucial de cuire les aliments à une température interne sûre pour détruire les bactéries qui sont présentes. La sécurité des hamburgers et autres aliments faits avec de la viande hachée a reçu dernièrement beaucoup d'attention, et pour une bonne raison. Quand la viande est hachée, les bactéries présentes sur la surface sont mélangées dans l'ensemble du mélange haché. Si cette viande hachée n'est pas cuite jusqu'à au moins 71oC à 74oC (160oF à 165oF), les bactéries ne seront pas détruites et il y a une forte chance que cela vous rendra malade.

Des morceaux solides de viande comme des steaks et côtelettes n'ont pas de bactéries dangereuses comme E. coli à l'intérieur, donc ils peuvent être servis plus saignants. Quand même, tout morceau de bœuf doit être cuit à une température interne d'au moins 63oC (145oF) (mi-saignant). La température sûre pour la volaille est 75oC (165oF) et les morceaux de viande entier de porc doivent être cuits à 71oC (160oF).

SÉPARER

Les aliments qui seront mangés crus et les aliments qui seront cuits avant d'être mangés DOIVENT TOUJOURS être séparés. La contamination croisée se produit quand des viandes crues ou des œufs viennent en contact avec des aliments qui seront mangés crus. Ceci est une source principale d'intoxication alimentaire. Enveloppez toujours deux fois les viandes crues et placez-les sur l'étagère la plus basse dans le réfrigérateur de manière qu'aucun jus ne puisse goutter sur les fruits et légumes crus. Puis utilisez les viandes crues entre 1 et 2 jours après l'achat, ou congelez-les pour les conserver plus longtemps. Décongelez les viandes congelées dans le réfrigérateur, pas sur le comptoir.

Quand vous grillez ou cuisez des viandes ou des poissons crus, assurez-vous de mettre la viande cuite sur un plat propre. N'utilisez pas le même plat que vous avez utilisé pour transporter les aliments avant de les mettre sur le grill. Lavez les ustensiles utilisés pour griller après que les aliments sont tournés pour la dernière fois sur le grill, aussi bien que les spatules et cuillers utilisées pour faire sauter à feu vif en remuant ou pour tourner la viande au fur et à mesure qu'elle cuit.

Assurez-vous de bien laver vos mains après avoir manipulé des viandes crues ou des œufs crus. Se laver les mains avec du savon et de l'eau, ou utiliser une lingette antibactérienne pré-humidifiée est absolument nécessaire après avoir touché de la viande crue ou des œufs crus. Ne pas se laver les mains et les surfaces pendant la cuisine est une cause majeure de contamination croisée.

NETTOYER

Lavez fréquemment vos mains et les surfaces de travail lorsque vous cuisinez. Lavez avec du savon et de l'eau chaude pendant au moins 15 seconds, puis séchez avec une serviette en papier.

REFROIDIR RAPIDEMENT

La réfrigération rapide des aliments est très importante. La zone de danger où les bactéries se multiplient est entre 4oC et 60oC (40oF et 140oF). Votre réfrigérateur doit être réglé à 4oC (40oF) ou en-dessous; votre congélateur doit être à -17oC (0oF) ou en-dessous. Une règle simple : servir chaud les aliments chauds, servir froid les aliments froids. Utilisez des réchauds ou plaques chauffantes pour garder les aliments chauds pendant le service. Utilisez des bains d'eau glacée pour garder au froid les aliments froids. Ne jamais laisser des aliments à la température ambiante pendant plus de deux (2) heures - 1 heure si la température ambiante est 32oC (90oF) ou au-dessus. Lorsque vous emballez les aliments pour un pique-nique, assurez-vous que les aliments sont déjà refroidis rapidement lorsqu'ils sont mis dans le panier à pique-nique isotherme. Le panier à pique-nique ne refroidira pas les aliments - il garde simplement les aliments froids lorsqu'il est emballé correctement avec de la glace. Les aliments cuits chauds doivent être placés dans des conteneurs peu profonds et immédiatement réfrigérés pour qu'ils se refroidissent rapidement. Assurez-vous de bien couvrir les aliments après qu'ils sont froids.

REMARQUE : Des considérations particulières doivent être prises lors de l'utilisation de venaison ou d'autre gibier sauvage, puisqu'ils peuvent devenir très contaminés durant l'opération de dépouille. La venaison est souvent gardée à des températures qui pourraient potentiellement permettre la croissance de bactéries, tel que lorsque celle-ci est transportée. Se référer au Département de la viande et de la volaille de l'USDA (USDA Meat and Poultry Department) pour d'autres questions ou informations sur la sécurité de la viande et des aliments.



GARANTIE LIMITÉE D'UN AN

Cette garantie s'applique aux produits achetés et utilisés aux États-Unis et au Canada. Il s'agit de l'unique garantie explicite pour ce produit et elle remplace toute autre garantie ou condition.

Ce produit est garanti comme étant exempt de tout vice matériel ou de main-d'œuvre pendant une période d'un (1) an à partir de la date d'achat initiale. Pendant cette période, votre seul recours consiste en la réparation ou au remplacement de ce produit ou de tout composant trouvé défectueux, à notre discrétion. Si le produit ou composant n'est plus disponible, nous le remplacerons par un produit similaire de valeur égale ou supérieure.

Cette garantie ne couvre pas les réparations ou l'entretien non autorisés des produits, les produits vendus « tels quels » par les détaillants, le verre, les filtres, l'usure découlant d'un usage normal, un usage non conforme aux instructions imprimées ou des dommages au produit découlant d'un accident, d'une modification, d'un abus ou d'une utilisation inadéquate. Cette garantie s'applique uniquement à l'acheteur d'origine ou au bénéficiaire d'un cadeau et elle est non transférable. Conserver le reçu d'achat original, car il est nécessaire pour effectuer une réclamation sous garantie. Cette garantie est annulée si le produit est soumis à toute tension et à toute autre forme d'onde autre que celle spécifiée sur l'étiquette des spécifications nominales (p. ex., 120 V ~ 60 Hz).

Nous excluons toutes les réclamations pour des dommages particuliers, accessoires et indirects causés par une violation d'une garantie explicite ou implicite. Toute responsabilité se limite à la somme du prix d'achat. **Toute garantie implicite, y compris toute garantie légale ou condition de qualité marchande ou de conformité à un usage particulier, est déclinée sauf dans la mesure où la loi l'interdit; dans ce cas, une telle garantie ou condition se limite à la durée de cette garantie écrite.**

Cette garantie vous donne des droits légaux spécifiques. Vous pouvez bénéficier d'autres droits reconnus par la loi variant selon l'endroit où vous habitez. Certains états ou certaines provinces ne permettent pas les limitations sur les garanties implicites ou les dommages particuliers, accessoires ou indirects, il est donc possible que les limitations précédentes ne s'appliquent pas à vous.

Ne pas retourner cet appareil au magasin lors d'une réclamation au titre de cette garantie. Téléphoner au 1.800.814.4895 (001.216.901.6801 hors des États-Unis) ou visiter WestonSupply.com. Pour un service plus rapide, trouvez le numéro de modèle, le type d'appareil et les numéros de série sur votre appareil.





ATTENTION!

PLEASE INSPECT THIS PACKAGE THOROUGHLY FOR MISSING PARTS OR ANY PRODUCT DAMAGE. IF YOUR PRODUCT CONTAINS SHIPPING DAMAGE, PLEASE CONTACT RETAILER FOR ASSISTANCE.

For all other questions regarding product usage, missing parts, product damage, difficulty or warranty activation, please contact the Weston Brands Customer Service Team:
8:00 am to 5:00 pm ET, Monday thru Friday

Customer.Service@WestonBrands.com
U.S. Residents Customer Service Line: 1-800-814-4895 (Outside U.S. Call: 001-216-901-6801)
Weston Brands, LLC, Southern Pines, NC 28387
WestonSupply.com

Please DO NOT return this item to the retailer before contacting
Weston Brands Customer Service.

SAVE THESE INSTRUCTIONS!

Refer to them often and use them to instruct others.

ATTENTION!

*VEUILLEZ INSPECTER CET EMBALLAGE AVEC SOIN POUR Y DÉTECTER
TOUTE PIÈCE MANQUANTE OU ENDOMMAGÉE.
SI DES PIÈCES ONT ÉTÉ ENDOMMAGÉES PENDANT LE TRANSPORT, VEUILLEZ
COMMUNIQUER AVEC LE DÉTAILLANT POUR OBTENIR DE L'AIDE.*

*Pour toutes les autres questions concernant l'utilisation du produit, les pièces manquantes, les problèmes ou
l'activation de la garantie, veuillez communiquer avec l'équipe du service clientèle des produits Weston:
de 8:00 à 17:00 HNE, du lundi au vendredi.*

Customer.Service@WestonBrands.com
Numéro de téléphone du service clientèle pour les résidents des É.-U. : 1-800-814-4895
Numéro de téléphone à l'extérieur des É.-U. : 001-216-901-6801 Weston Brands, LLC,
Weston Brands, LLC, Southern Pines, NC 28387
WestonSupply.com

Veillez communiquer avec le service clientèle des produits Weston AVANT de retourner cet appareil au détaillant.

CONSERVER CES DIRECTIVES!

Veillez les consulter fréquemment et les utiliser pour la formation.

¡ATENCIÓN!

Revise completamente el envase y compruebe que no falten partes o que algún producto esté dañado. si el producto está dañado por el transporte, solicite asistencia al distribuidor.

Para todas aquellas preguntas referentes al uso del producto, partes faltantes, daño del producto, dificultad o activación de la garantía, comuníquese con el equipo de servicio al cliente de weston Brands: desde las 8:00 am hasta las 5:00 pm ET, de lunes a viernes

Customer.Service@WestonBrands.com
Línea de Servicio al Cliente para Residentes de EE.UU.: 1.800.814.4895 (Fuera de EE.UU., llame al: 001-216-901-6801) Weston Brands, LLC, Southern Pines, NC 28387
WestonSupply.com

NO devuelva este artículo al vendedor minorista antes de comunicarse con Servicio al Cliente de Weston Brands.

¡GUARDE ESTAS INSTRUCCIONES!

Consulte estas instrucciones y úselas para enseñar sobre el uso de este producto a otras personas.

